

1

2

3

4

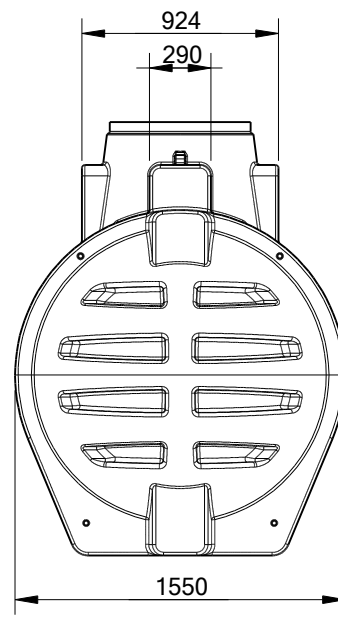
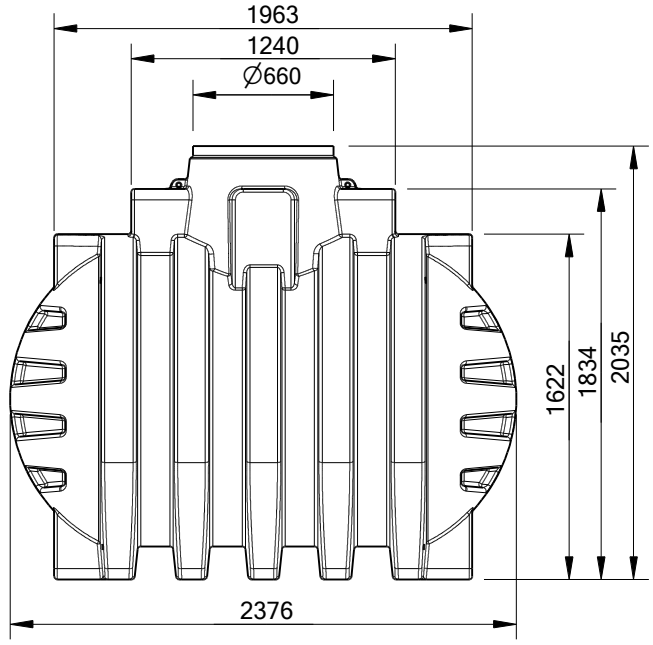
5

6

RevNo	Revision note	Date	Signature	Checked
-------	---------------	------	-----------	---------

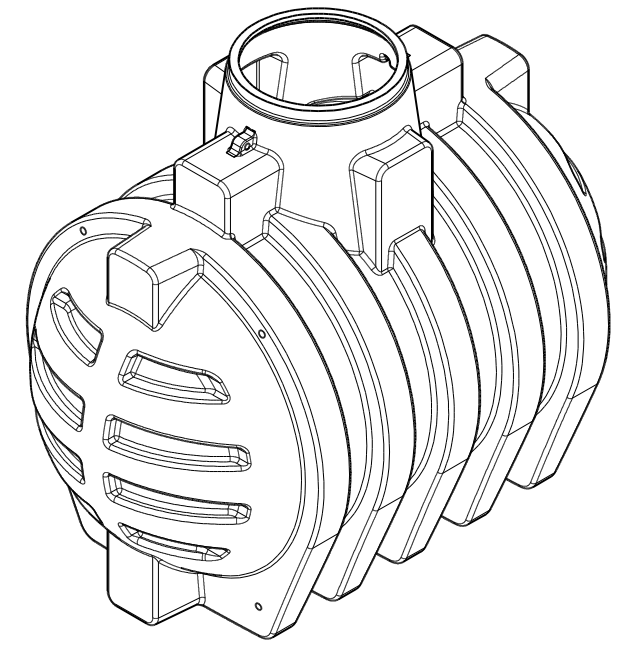
A

A



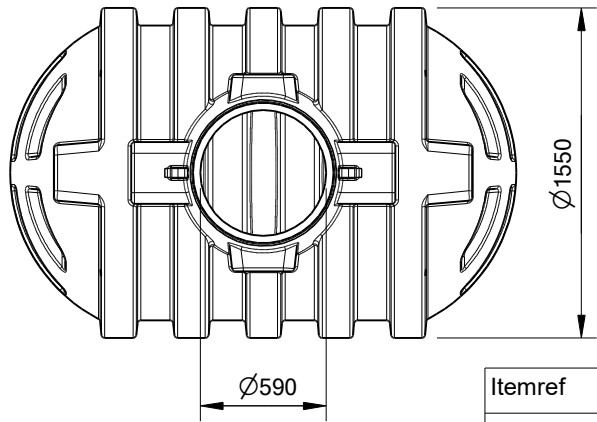
B

B



C

C



D

D

Itemref	Quantity	Title/Name, designation, material, dimension etc 160 kg LLDPE			Article No./Reference
Drawn by Ing. Jan Burian	Checked by	Approved by - date	File name	Date 27.09.2024	Scale 1:1

**Nádrž
ABAND | 3500**

ABPLAST s.r.o.

Edition	Sheet 1 OF 1
---------	-----------------

1

2

3

4

5

6